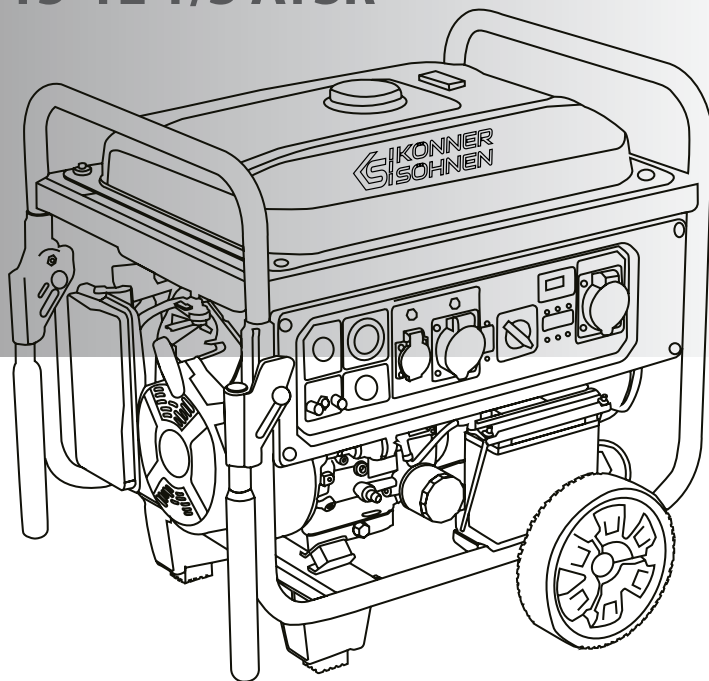


GASOLINE GENERATORS EXPLODED VIEW

KS 15-1E ATSR

KS 15-1E 1/3 ATSR



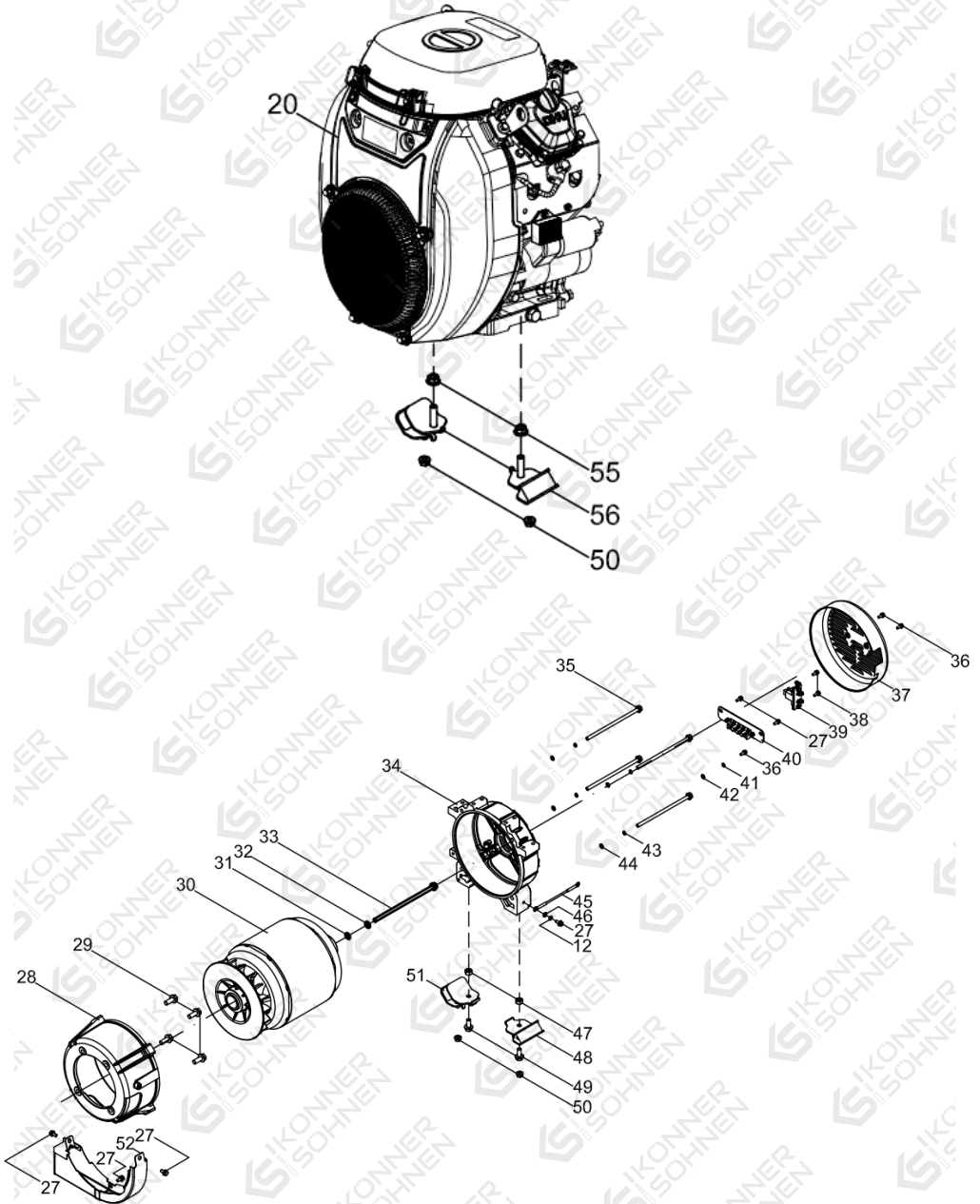
TRADITIONELLE DEUTSCHE QUALITÄT

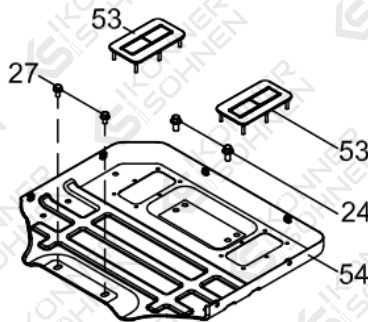
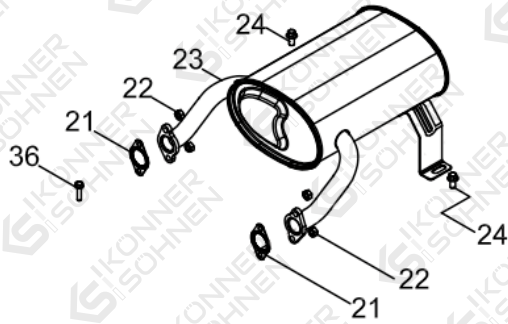
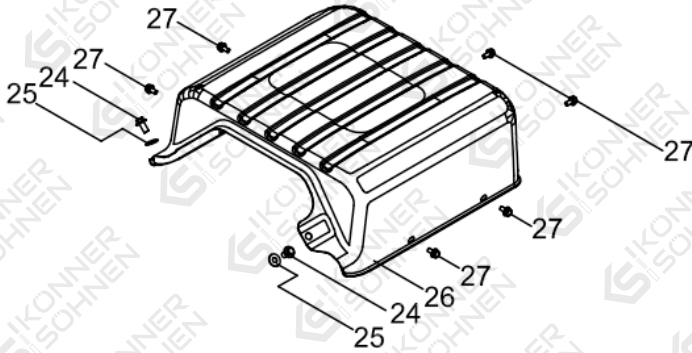
CONTENTS

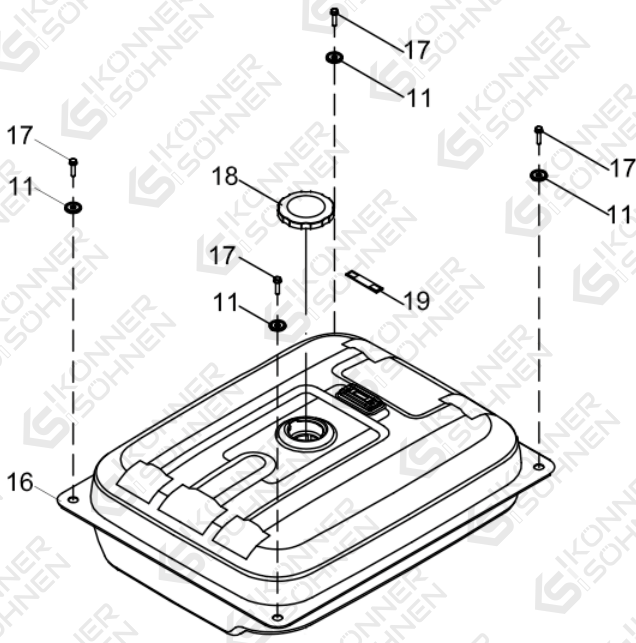
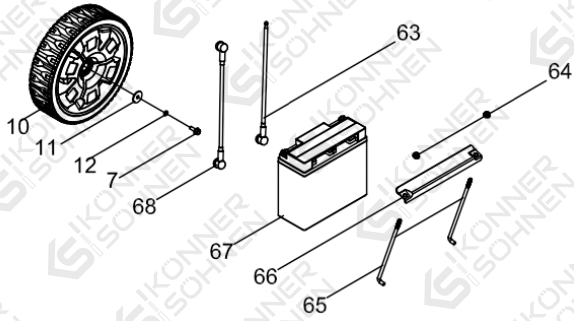
1. Parts of generator.....	2
2. Parts of engine.....	9
3. Parts of panel.....	20
4. Electric scheme.....	22

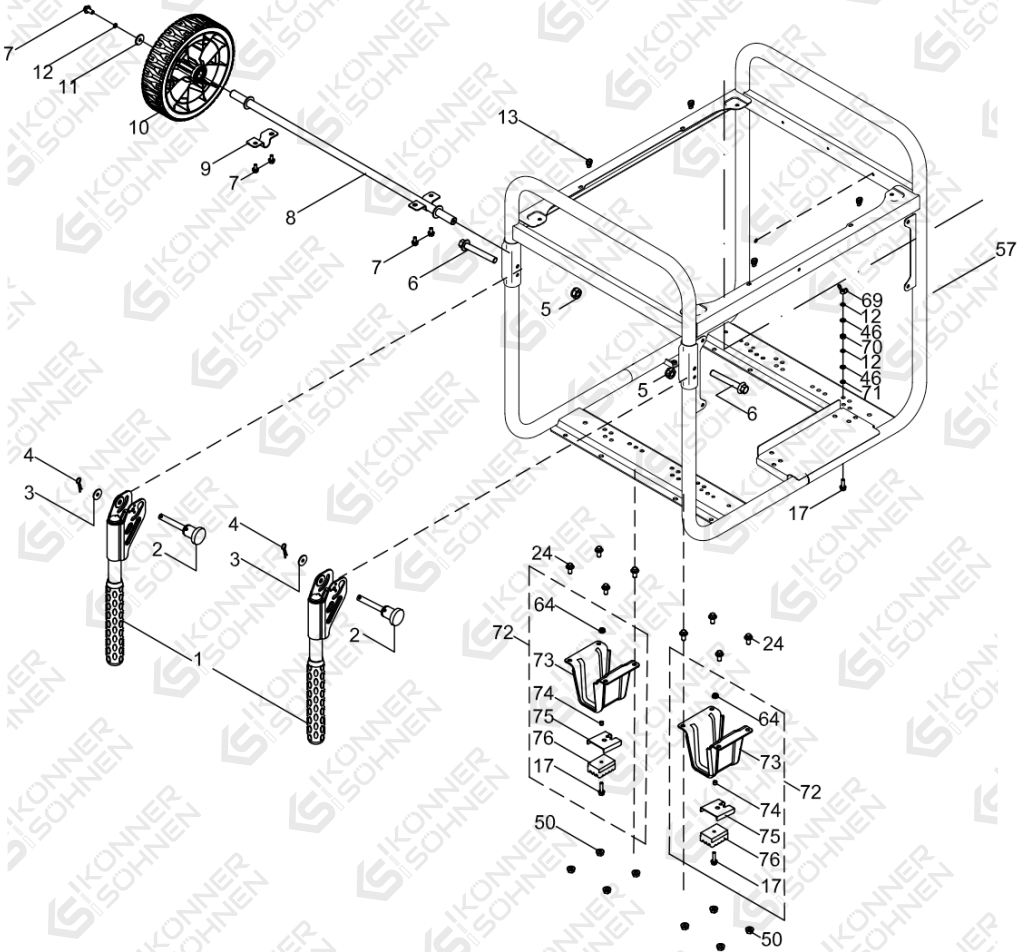
! This material is for informational purposes only and is not an instruction. The connection of the equipment in each case must be performed by a certified electrician, in accordance with local laws and regulations. Before connecting, we urge you to read the recommendations in the manual for the generator. The manufacturer is not responsible for improper connection of equipment, and is not responsible for possible material and physical damage that may occur as a result of improper installation, connection or operation of equipment.

1. PARTS OF GENERATOR







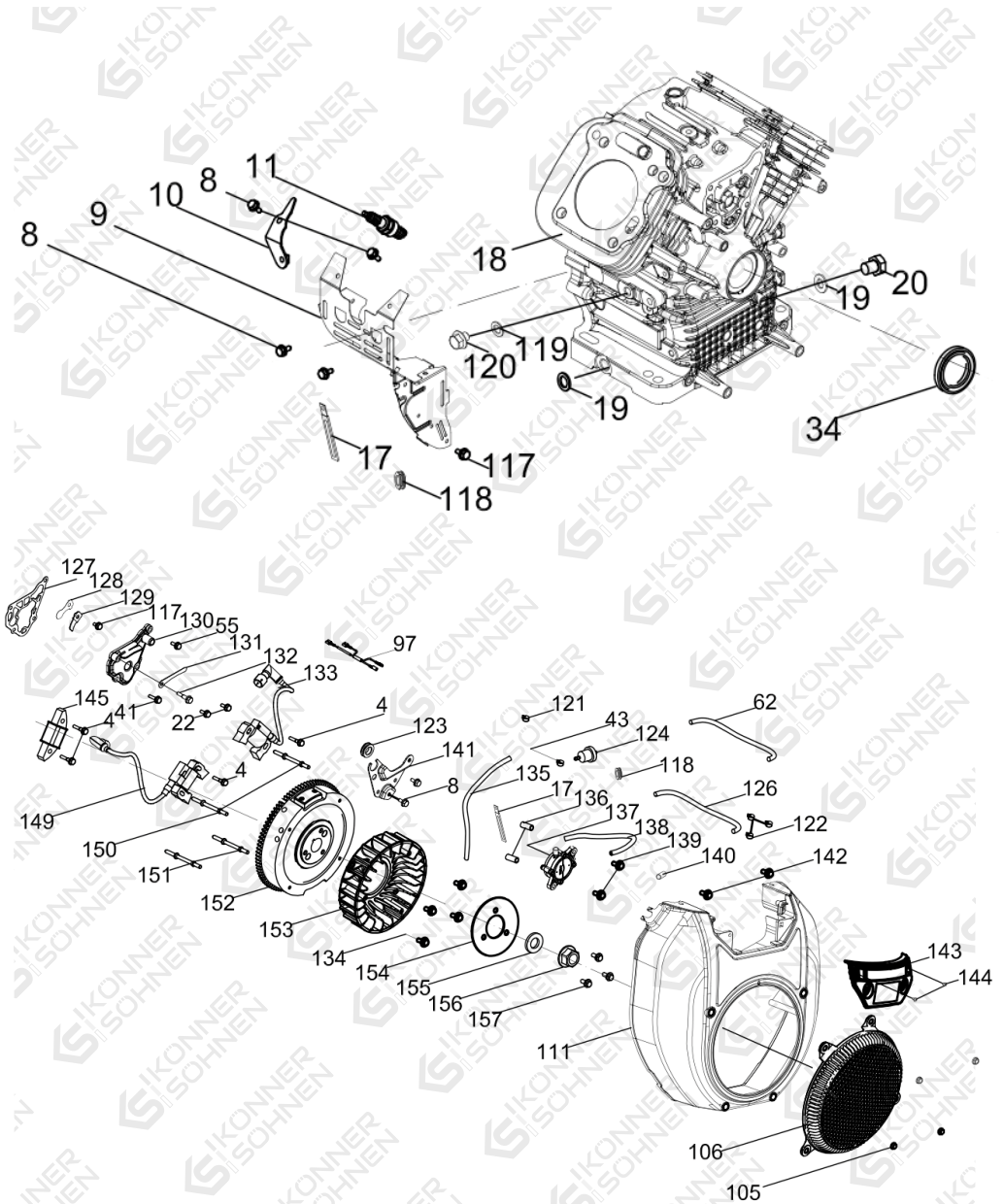


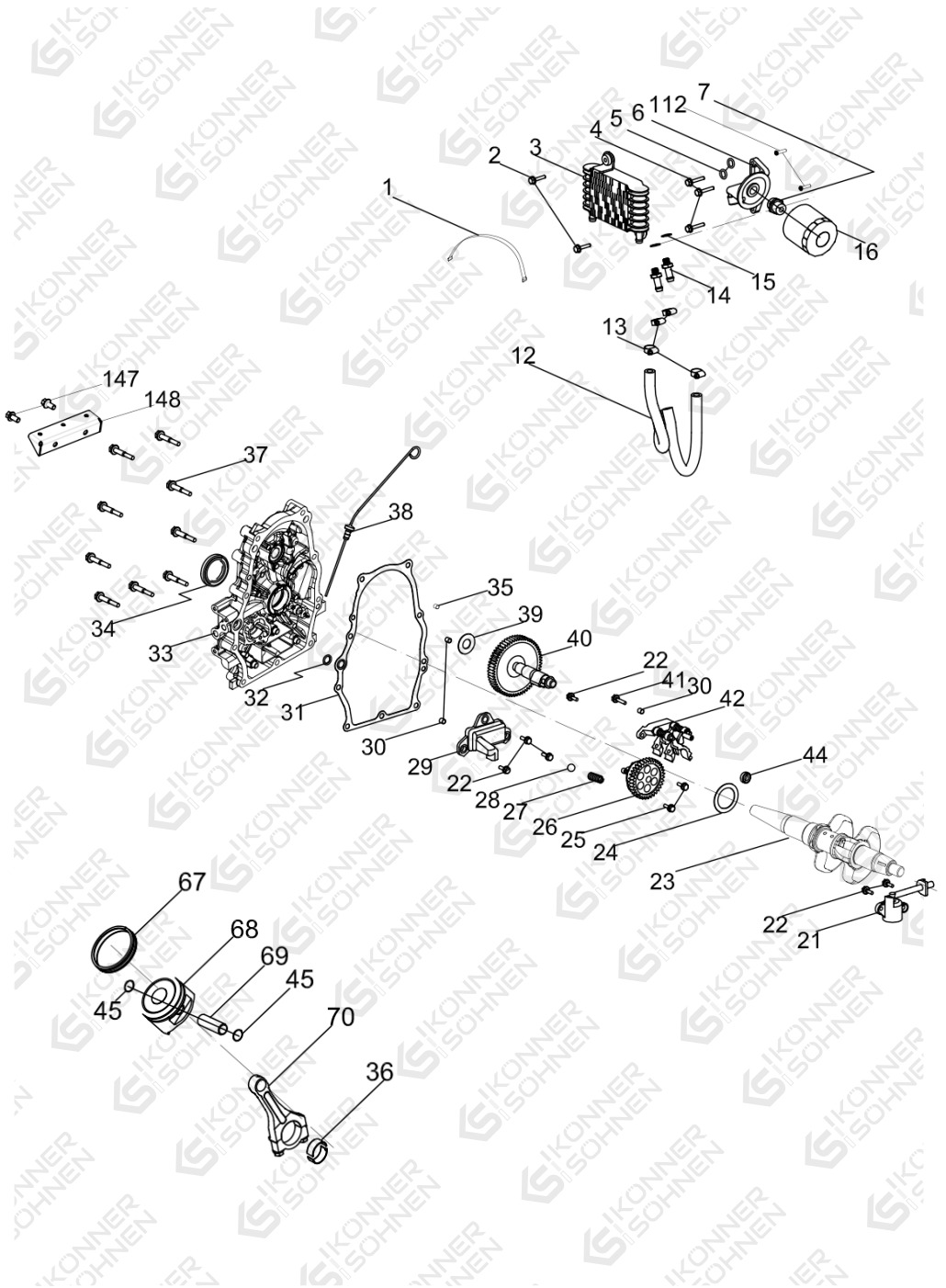
No	REF. No	DESCRIPTION	QTY
1	KS 15-1E(1/3) ATSR-1-01	Handle	2
2	KS 15-1E(1/3) ATSR-1-02	SpRing Pin	2
3	KS 15-1E(1/3) ATSR-1-03	Nylon Washer	2
4	KS 15-1E(1/3) ATSR-1-04	Circlip	2
5	KS 15-1E(1/3) ATSR-1-05	Nut M8	2
6	KS 15-1E(1/3) ATSR-1-06	Bolt, M8×55	2
7	KS 15-1E(1/3) ATSR-1-07	Bolt, M6×14	6
8	KS 15-1E(1/3) ATSR-1-08	Wheel Shaft Assembly	1
9	KS 15-1E(1/3) ATSR-1-09	Wheel Support	1
10	KS 15-1E(1/3) ATSR-1-10	Tire	2
11	KS 15-1E(1/3) ATSR-1-11	Washer, $\phi 6.5 \times 2 \times \phi 25$	6
12	KS 15-1E(1/3) ATSR-1-12	Washer, $\phi 6$	5
13	KS 15-1E(1/3) ATSR-1-13	Damping Pad	4
14	KS 15-1E(1/3) ATSR-1-14	Clamp	1
15	KS 15-1E(1/3) ATSR-1-15	Fuel Switch	1
16	KS 15-1E(1/3) ATSR-1-16	Fuel Tank	1
17	KS 15-1E(1/3) ATSR-1-17	Bolt, M6×25	7
18	KS 15-1E(1/3) ATSR-1-18	Fuel Cap	1
19	KS 15-1E(1/3) ATSR-1-19	Oily Sense Clip	1
20	KS 15-1E(1/3) ATSR-1-20	Engine	1
21	KS 15-1E(1/3) ATSR-1-21	Gasket, Muffler	2
22	KS 15-1E(1/3) ATSR-1-22	Nut, M8	4
23	KS 15-1E(1/3) ATSR-1-23	Muffler	1
24	KS 15-1E(1/3) ATSR-1-24	Bolt, M8×16	14
25	KS 15-1E(1/3) ATSR-1-25	Washer, $\phi 8 \times 2 \times \phi 24$	2
26	KS 15-1E(1/3) ATSR-1-26	Muffler Guard	1

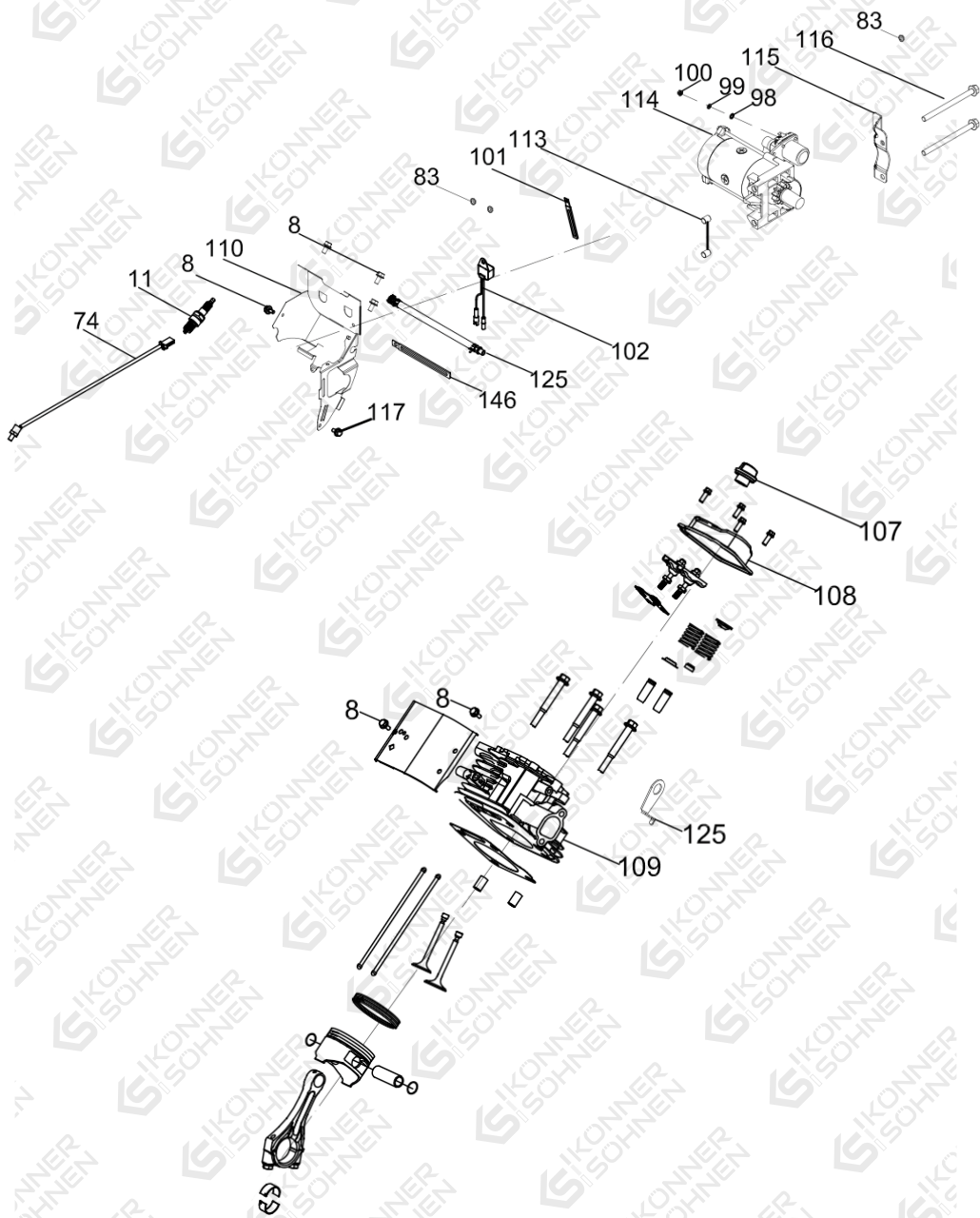
No	REF. No	DESCRIPTION	QTY
27	KS 15-1E(1/3) ATSR-1-27	Bolt, M6×12	18
28	KS 15-1E(1/3) ATSR-1-28	Front Bracket	1
29	KS 15-1E(1/3) ATSR-1-29	Bolt, M10×1.25×25	4
30	KS 15-1E(1/3) ATSR-1-30	Alternator	1
31	KS 15-1E(1/3) ATSR-1-31	Washer, φ10×4×φ30	1
32	KS 15-1E(1/3) ATSR-1-32	Washer, φ10	1
33	KS 15-1E(1/3) ATSR-1-33	Bolt	1
34	KS 15-1E(1/3) ATSR-1-34	Rear Bracket	1
35	KS 15-1E(1/3) ATSR-1-35	Bolt	4
36	KS 15-1E(1/3) ATSR-1-36	Bolt, M5×14	3
37	KS 15-1E(1/3) ATSR-1-37	End Cover	1
38	KS 15-1E(1/3) ATSR-1-38	Bolt, M5×18	2
39	KS 15-1E(1/3) ATSR-1-39	Brush	1
40	KS 15-1E(1/3) ATSR-1-40	Wire Terminal	1
41	KS 15-1E(1/3) ATSR-1-41	Washer, φ5	1
42	KS 15-1E(1/3) ATSR-1-42	Washer, φ5	1
43	KS 15-1E(1/3) ATSR-1-43	Washer, φ8	4
44	KS 15-1E(1/3) ATSR-1-44	Washer, φ8	4
45	KS 15-1E(1/3) ATSR-1-45	Earth Wire	1
46	KS 15-1E(1/3) ATSR-1-46	Washer, φ6	3
47	KS 15-1E(1/3) ATSR-1-47	Nut, M10	2
48	KS 15-1E(1/3) ATSR-1-48	Damping Pad	1
49	KS 15-1E(1/3) ATSR-1-49	Bolt, M10×25	2
50	KS 15-1E(1/3) ATSR-1-50	Nut, M8	12
51	KS 15-1E(1/3) ATSR-1-51	Damping Pad	1
52	KS 15-1E(1/3) ATSR-1-52	Motor Shield	1

No	REF. No	DESCRIPTION	QTY
53	KS 15-1E(1/3) ATSR-1-53	Gasket	2
54	KS 15-1E(1/3) ATSR-1-54	Muffler Cover Plate	1
55	KS 15-1E(1/3) ATSR-1-55	Nut, M10×1.25	2
56	KS 15-1E(1/3) ATSR-1-56	Damping Pad	2
57	KS 15-1E(1/3) ATSR-1-57	Frame Assembly	1
58	KS 15-1E(1/3) ATSR-1-58	Bolt, M6×18	2
59	KS 15-1E(1/3) ATSR-1-59	Voltage Regulator	1
60	KS 15-1E(1/3) ATSR-1-60	Clip	1
61	KS 15-1E(1/3) ATSR-1-61	Clip	1
62	KS 15-1E(1/3) ATSR-1-62	Control Panel	1
63	KS 15-1E(1/3) ATSR-1-63	Cathode Wire	1
64	KS 15-1E(1/3) ATSR-1-64	Nut, M6	4
65	KS 15-1E(1/3) ATSR-1-65	Bolt	2
66	KS 15-1E(1/3) ATSR-1-66	Binder Plate	1
67	KS 15-1E(1/3) ATSR-2-67	Battery	1
68	KS 15-1E(1/3) ATSR-2-68	Anode Wire	1
69	KS 15-1E(1/3) ATSR-2-69	Nut, M6	1
70	KS 15-1E(1/3) ATSR-2-70	Nut, M6	1
71	KS 15-1E(1/3) ATSR-2-71	Washer, φ6	1
72	KS 15-1E(1/3) ATSR-2-72	Support Base	2
73	KS 15-1E(1/3) ATSR-2-73	Support Base	2
74	KS 15-1E(1/3) ATSR-2-74	Bush, φ8×φ6×12	2
75	KS 15-1E(1/3) ATSR-2-75	Stop Block	2
76	KS 15-1E(1/3) ATSR-2-76	Damping Pad	2

2. PARTS OF ENGINE







No	REF. No	DESCRIPTION	QTY
1	KS 15-1E(1/3) ATSR-2-01	Tape, L=150mm	1
2	KS 15-1E(1/3) ATSR-2-02	Bolt, M6×20	2
3	KS 15-1E(1/3) ATSR-2-03	Oil Radiator	1
4	KS 15-1E(1/3) ATSR-2-04	Bolt, M6×30	9
5	KS 15-1E(1/3) ATSR-2-05	O-Ring, φ11.2×2.65	2
6	KS 15-1E(1/3) ATSR-2-06	Secondary Oil Filter	1
7	KS 15-1E(1/3) ATSR-2-07	Connection Pipe	1
8	KS 15-1E(1/3) ATSR-2-08	Bolt, M6×12	14
9	KS 15-1E(1/3) ATSR-2-09	Cylinder Head Baffle Right	1
10	KS 15-1E(1/3) ATSR-2-10	Oil Radiator Bracket	1
11	KS 15-1E(1/3) ATSR-2-11	Spark Plug	2
12	KS 15-1E(1/3) ATSR-2-12	Fuel Hose, φ9.5×φ17.4×295	2
13	KS 15-1E(1/3) ATSR-2-13	Clamp	4
14	KS 15-1E(1/3) ATSR-2-14	Fuel Tube Joint	2
15	KS 15-1E(1/3) ATSR-2-15	Washer, φ10.5×2×φ18	2
16	KS 15-1E(1/3) ATSR-2-16	Oil Filter	1
17	KS 15-1E(1/3) ATSR-2-17	Clip	2
18	KS 15-1E(1/3) ATSR-2-18	Crankcase	1
19	KS 15-1E(1/3) ATSR-2-19	Washer, φ14×1.5×φ22	2
20	KS 15-1E(1/3) ATSR-2-20	Earth Bolt	1
21	KS 15-1E(1/3) ATSR-2-21	Oil Sensor	1
22	KS 15-1E(1/3) ATSR-2-22	Bolt, M6×16	8
23	KS 15-1E(1/3) ATSR-2-23	Crankshaft	1
24	KS 15-1E(1/3) ATSR-2-24	Washer, φ38.5×1×φ54	1
25	KS 15-1E(1/3) ATSR-2-25	Bolt, M6×16	2

No	REF. No	DESCRIPTION	QTY
26	KS 15-1E(1/3) ATSR-2-26	Oil Pump	1
27	KS 15-1E(1/3) ATSR-2-27	Oil Pump Spring	1
28	KS 15-1E(1/3) ATSR-2-28	Steel Ball, $\phi 9.5$	1
29	KS 15-1E(1/3) ATSR-2-29	Breather Filter Screen	1
30	KS 15-1E(1/3) ATSR-2-30	Pin, $\phi 8 \times 12$	3
31	KS 15-1E(1/3) ATSR-2-31	Gasket, Crankcase	1
32	KS 15-1E(1/3) ATSR-2-32	O-Ring, $\phi 13.2 \times 2.65$	1
33	KS 15-1E(1/3) ATSR-2-33	Crankcase Cover	1
34	KS 15-1E(1/3) ATSR-2-34	Oil Seal, $\phi 38 \times \phi 58 \times 8$	2
35	KS 15-1E(1/3) ATSR-2-35	Pin, $\phi 14 \times 10 \times \phi 12.5$	1
36	KS 15-1E(1/3) ATSR-2-36	Connecting Rod Bearing	4
37	KS 15-1E(1/3) ATSR-2-37	Bolt, M8x50	9
38	KS 15-1E(1/3) ATSR-2-38	Dipstick	1
39	KS 15-1E(1/3) ATSR-2-39	Washer, $\phi 17.4 \times 1 \times \phi 25.9$	1
40	KS 15-1E(1/3) ATSR-2-40	Camshaft	1
41	KS 15-1E(1/3) ATSR-2-41	Bolt, M6x25	2
42	KS 15-1E(1/3) ATSR-2-42	Lower Rocker Arm	1
43	KS 15-1E(1/3) ATSR-2-43	Clamp	1
44	KS 15-1E(1/3) ATSR-2-44	Bearing, 6003	1
45	KS 15-1E(1/3) ATSR-2-45	Circlip	4
46	KS 15-1E(1/3) ATSR-2-46	Intake Vavle	2
47	KS 15-1E(1/3) ATSR-2-47	Pin, $\phi 12 \times 20$	4
48	KS 15-1E(1/3) ATSR-2-48	Cylinder Head	1
49	KS 15-1E(1/3) ATSR-2-49	Valve Spring Seat	4
50	KS 15-1E(1/3) ATSR-2-50	Valve Adjust Cap, Exhaust	4

No	REF. No	DESCRIPTION	QTY
51	KS 15-1E(1/3) ATSR-2-51	Intake Valve Seal	2
52	KS 15-1E(1/3) ATSR-2-52	Valve Spring	4
53	KS 15-1E(1/3) ATSR-2-53	Valve Locker	8
54	KS 15-1E(1/3) ATSR-2-54	Valve Spring Seat	2
55	KS 15-1E(1/3) ATSR-2-55	Bolt, M6×22	9
56	KS 15-1E(1/3) ATSR-2-56	Valve Cover	1
57	KS 15-1E(1/3) ATSR-2-57	Gasket, Valve Cover	2
58	KS 15-1E(1/3) ATSR-2-58	Bush Bracket	1
59	KS 15-1E(1/3) ATSR-2-59	Rocker Arm Assembly	4
60	KS 15-1E(1/3) ATSR-2-60	Rocker Arm Base	2
61	KS 15-1E(1/3) ATSR-2-61	Bolt, M10×1.25×87	8
62	KS 15-1E(1/3) ATSR-2-62	Fuel Hose, φ4×φ10×165	1
63	KS 15-1E(1/3) ATSR-2-63	Shroud	2
64	KS 15-1E(1/3) ATSR-2-64	Sket, Cylinder Head	2
65	KS 15-1E(1/3) ATSR-2-65	Exhaust Valve	2
66	KS 15-1E(1/3) ATSR-2-66	Push Rod	4
67	KS 15-1E(1/3) ATSR-2-67	Piston Ring Set	2
68	KS 15-1E(1/3) ATSR-2-68	Piston	2
69	KS 15-1E(1/3) ATSR-2-69	Piston Pin	2
70	KS 15-1E(1/3) ATSR-2-70	Connecting Rod Assembly	2
71	KS 15-1E(1/3) ATSR-2-71	Washer, φ8.5×2×φ15.8	3
72	KS 15-1E(1/3) ATSR-2-72	Stepping Motor	1
73	KS 15-1E(1/3) ATSR-2-73	Stepping Motor	1
74	KS 15-1E(1/3) ATSR-2-74	Temperature Sensor	1
75	KS 15-1E(1/3) ATSR-2-75	Gasket, Intake Manifold	2

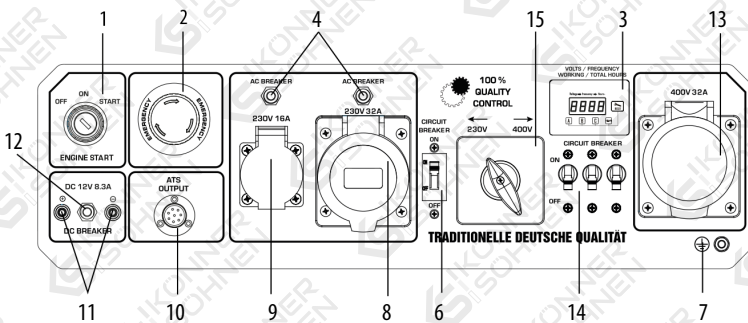
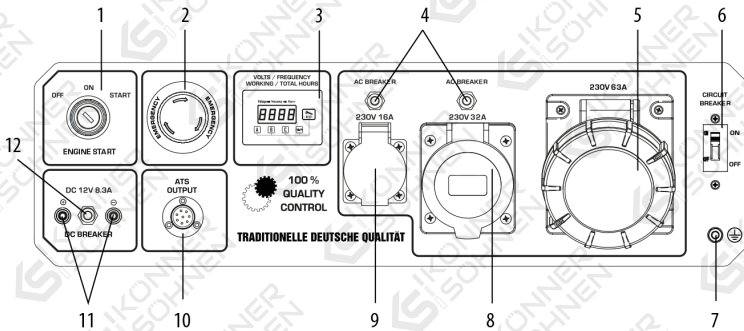
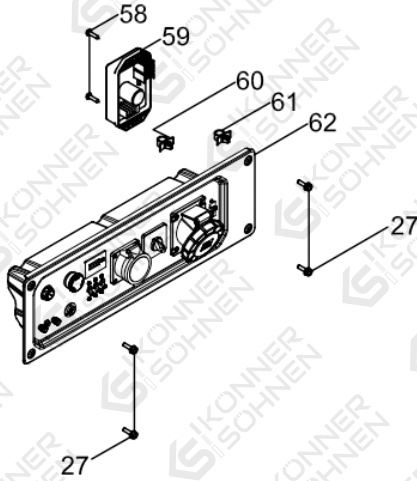
No	REF. No	DESCRIPTION	QTY
76	KS 15-1E(1/3) ATSR-2-76	Intake Manifold	1
77	KS 15-1E(1/3) ATSR-2-77	Gasket, Carburetor	3
78	KS 15-1E(1/3) ATSR-2-78	Insulator	1
79	KS 15-1E(1/3) ATSR-2-79	Carburetor	1
80	KS 15-1E(1/3) ATSR-2-80	Air Filter Tube	1
81	KS 15-1E(1/3) ATSR-2-81	Bolt, M6×90	4
82	KS 15-1E(1/3) ATSR-2-82	Buffer Wear Jacket	2
83	KS 15-1E(1/3) ATSR-2-83	Nut, M6	5
84	KS 15-1E(1/3) ATSR-2-84	Air Filter Assembly	1
85	KS 15-1E(1/3) ATSR-2-85	Air Filter Cover	1
86	KS 15-1E(1/3) ATSR-2-86	Air Filter Element Bracket	1
87	KS 15-1E(1/3) ATSR-2-87	Air Filter Paper	1
88	KS 15-1E(1/3) ATSR-2-88	Gasket, Air Filter	1
89	KS 15-1E(1/3) ATSR-2-89	Air Filter Base	1
90	KS 15-1E(1/3) ATSR-2-90	Air Filter Clip	2
91	KS 15-1E(1/3) ATSR-2-91	Breather Hose	1
92	KS 15-1E(1/3) ATSR-2-92	Bolt, M6×65	1
93	KS 15-1E(1/3) ATSR-2-93	Stud	2
94	KS 15-1E(1/3) ATSR-2-94	Intake Manifold	1
95	KS 15-1E(1/3) ATSR-2-95	Stud, M8×34	4
96	KS 15-1E(1/3) ATSR-2-96	Bolt, M8×50	4
97	KS 15-1E(1/3) ATSR-2-97	Cable Assembly	1
98	KS 15-1E(1/3) ATSR-2-98	Washer, φ6	1
99	KS 15-1E(1/3) ATSR-2-99	Washer, φ6	1
100	KS 15-1E(1/3) ATSR-2-100	Nut, M6	1

No	REF. No	DESCRIPTION	QTY
101	KS 15-1E(1/3) ATSR-2-101	Clip	1
102	KS 15-1E(1/3) ATSR-2-102	Oil Sensor	1
103	KS 15-1E(1/3) ATSR-2-103	Clamp	1
104	KS 15-1E(1/3) ATSR-2-104	Cotter Pin	2
105	KS 15-1E(1/3) ATSR-2-105	Nut, M6	4
106	KS 15-1E(1/3) ATSR-2-106	Shroud	1
107	KS 15-1E(1/3) ATSR-2-107	Oil Plug	1
108	KS 15-1E(1/3) ATSR-2-108	Valve Cover	1
109	KS 15-1E(1/3) ATSR-2-109	Cylinder Head	1
110	KS 15-1E(1/3) ATSR-2-110	Cylinder Head Baffle Left	1
111	KS 15-1E(1/3) ATSR-2-111	Blower Housing	1
112	KS 15-1E(1/3) ATSR-2-112	Pin, $\varnothing 12 \times 10 \times \varnothing 10$	2
113	KS 15-1E(1/3) ATSR-2-113	Pin, $\varnothing 10 \times 12$	2
114	KS 15-1E(1/3) ATSR-2-114	Electric Starter	1
115	KS 15-1E(1/3) ATSR-2-115	Relay Bracket	1
116	KS 15-1E(1/3) ATSR-2-116	Bolt, M8 \times 110	2
117	KS 15-1E(1/3) ATSR-2-117	Bolt, M6 \times 10	3
118	KS 15-1E(1/3) ATSR-2-118	Spray Head Washer	2
119	KS 15-1E(1/3) ATSR-2-119	Washer, $\varnothing 10.5 \times 1.5 \times \varnothing 18$	1
120	KS 15-1E(1/3) ATSR-2-120	Bolt, M10 \times 1 \times 10	1
121	KS 15-1E(1/3) ATSR-2-121	Clamp	1
122	KS 15-1E(1/3) ATSR-2-122	Clamp	3
123	KS 15-1E(1/3) ATSR-2-123	Fuel Hose Jacket	1
124	KS 15-1E(1/3) ATSR-2-124	Fuel Filter	1
125	KS 15-1E(1/3) ATSR-2-125	Oil Drain Pipe	1

No	REF. No	DESCRIPTION	QTY
126	KS 15-1E(1/3) ATSR-2-126	Fuel Hose	1
127	KS 15-1E(1/3) ATSR-2-127	Gasket, Breather Cover	1
128	KS 15-1E(1/3) ATSR-2-128	Breather Valve	1
129	KS 15-1E(1/3) ATSR-2-129	Oil Block	1
130	KS 15-1E(1/3) ATSR-2-130	Breather Cover	1
131	KS 15-1E(1/3) ATSR-2-131	Wire Board	1
132	KS 15-1E(1/3) ATSR-2-132	Bolt, M6×28	1
133	KS 15-1E(1/3) ATSR-2-133	Ignition Module	1
134	KS 15-1E(1/3) ATSR-2-134	Bolt, M6×18	4
135	KS 15-1E(1/3) ATSR-2-135	Fuel Hose	1
136	KS 15-1E(1/3) ATSR-2-136	Bush, φ6.5×φ10×24	2
137	KS 15-1E(1/3) ATSR-2-137	Fuel Pump	1
138	KS 15-1E(1/3) ATSR-2-138	Fuel Hose	1
139	KS 15-1E(1/3) ATSR-2-139	Bolt, M6×40	2
140	KS 15-1E(1/3) ATSR-2-140	Fuel Hose Jacket	1
141	KS 15-1E(1/3) ATSR-2-141	Fuel Pump Bracket	1
142	KS 15-1E(1/3) ATSR-2-142	Bolt	2
143	KS 15-1E(1/3) ATSR-2-143	Choke Plate	1
144	KS 15-1E(1/3) ATSR-2-144	Self-tappling Screw, ST4.2×25	2
145	KS 15-1E(1/3) ATSR-2-145	Charging Coil	1
146	KS 15-1E(1/3) ATSR-2-146	Clip	1
147	KS 15-1E(1/3) ATSR-2-147	Bolt, M8×16	2
148	KS 15-1E(1/3) ATSR-2-148	Muffler Cover Plate Connection Plate	1
149	KS 15-1E(1/3) ATSR-2-149	Ignition Module	1
150	KS 15-1E(1/3) ATSR-2-150	Stud, M6×112.5	2

No	REF. No	DESCRIPTION	QTY
151	KS 15-1E(1/3) ATSR-2-151	Stud, M6×122	2
152	KS 15-1E(1/3) ATSR-2-152	Flywheel	1
153	KS 15-1E(1/3) ATSR-2-153	Cooling Fan	1
154	KS 15-1E(1/3) ATSR-2-154	Cooling Fan Plate	1
155	KS 15-1E(1/3) ATSR-2-155	Washer, $\varnothing 20.5 \times 5 \times \varnothing 40$	1
156	KS 15-1E(1/3) ATSR-2-156	Nut, M20×1.5	1
157	KS 15-1E(1/3) ATSR-2-157	Bolt, M8×20	3

3. PARTS OF PANEL



No	REF. No	DESCRIPTION	QTY
1	KS 15-1E(1/3) ATSR-3-1	Start switch	1
2	KS 15-1E(1/3) ATSR-3-2	Emergency stop button	1
3	KS 15-1E(1/3) ATSR-3-3	LED-display	1
4	KS 15-1E(1/3) ATSR-3-4	AC output socket 230V	2
5	KS 15-1E ATSR-3-5	AC output socket 230V 63A	1
6	KS 15-1E(1/3) ATSR-3-6	AC circuit breaker 230V	1
7	KS 15-1E(1/3) ATSR-3-7	Grounded bolt	1
8	KS 15-1E(1/3) ATSR-3-8	AC output socket 230V 32A	1
9	KS 15-1E(1/3) ATSR-3-9	AC output socket 230V 16A	1
10	KS 15-1E(1/3) ATSR-3-10	ATS output	1
11	KS 15-1E(1/3) ATSR-3-11	DC terminals 12V	2
12	KS 15-1E(1/3) ATSR-3-12	DC breaker 12V	1
13	KS 15-1E 1/3 ATSR-3-13	AC output socket 400V 32A	1
14	KS 15-1E 1/3 ATSR-3-14	AC circuit breaker 400V	1
15	KS 15-1E 1/3 ATSR-3-15	VTS system (single-/three-phase switch (230V/ 400V))	1
27	KS 15-1E 1/3 ATSR-3-27	Bolt	4
58	KS 15-1E 1/3 ATSR-3-58	Bolt	2
59	KS 15-1E 1/3 ATSR-3-59	Automatic voltage regulator	1
60	KS 15-1E 1/3 ATSR-3-60	Clamp	1
61	KS 15-1E 1/3 ATSR-3-61	Clamp	1
62	KS 15-1E 1/3 ATSR-3-62	Control panel ASSY	1

4. ELECTRIC SCHEME

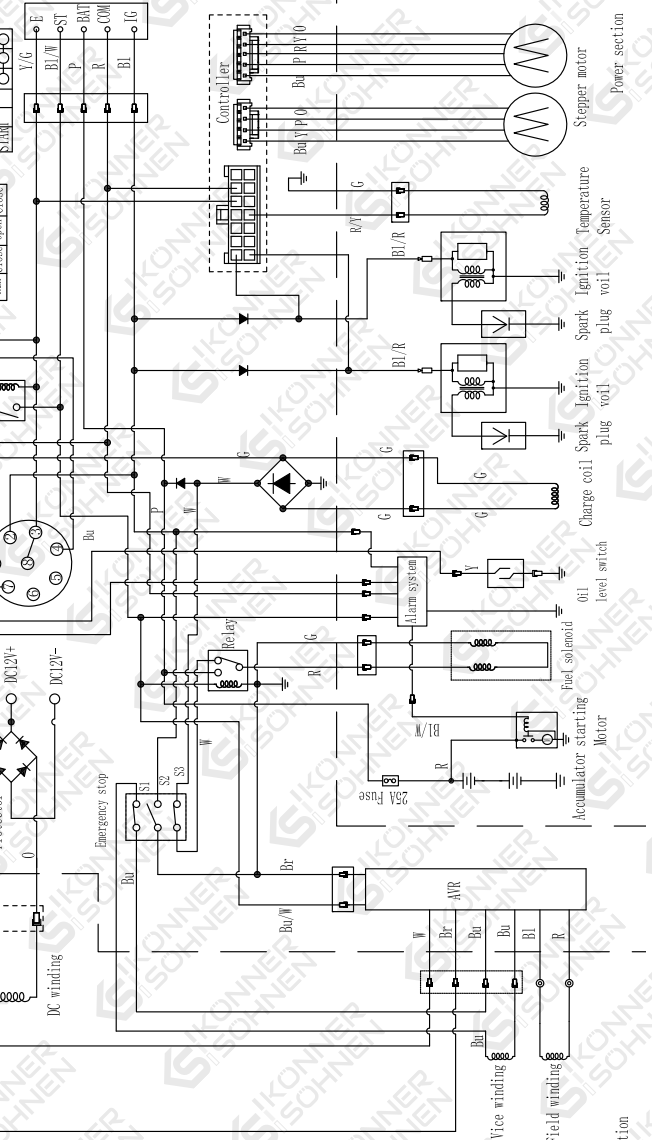
For model KS 15-1E ATSR

Panel section

B	Black	R/Y	Red/Yellow
Y	Yellow	Y/G	Yellow/Green
Bu	Blue	B/W	Black/White
G	Green	Gr	Green
R	Red	R/W	Red/White
W	White	W/G	White/Green
Br	Brown	Br/W	Brown/White
Bl	Blue	Bl/W	Blue/White

Emergency stop	STOP	STOP	STOP
Stop/Close	STOP	STOP	STOP
Run/Close	STOP	STOP	STOP
Run/Close	STOP	STOP	STOP

1G/E	1ST	BAT/COM
OFF	ON	STOP
ON	STOP	STOP
STOP	STOP	STOP



Motor section

For model KS 15-1E 1/3 ATSR

Panel section

Bl	Black	R/Y	Red/Yellow
Y	Yellow	V/G	Yellow/Green
Bu	Blue	B/W	Black/White
G	Green	P	Pink
R	Red	Br	Brown
W	White	Gr	Gray
Orange	Orange	Bl/R	Black/Red
0	Blue/White	0	Blue/White

OFF	ON	STOP
○	○	○
○	○	○

S1	S2	S3
Stop	Open	Close
Open	Close	Open
Close	Open	Close

Emergency stop
Relay

Emergency stop
Relay

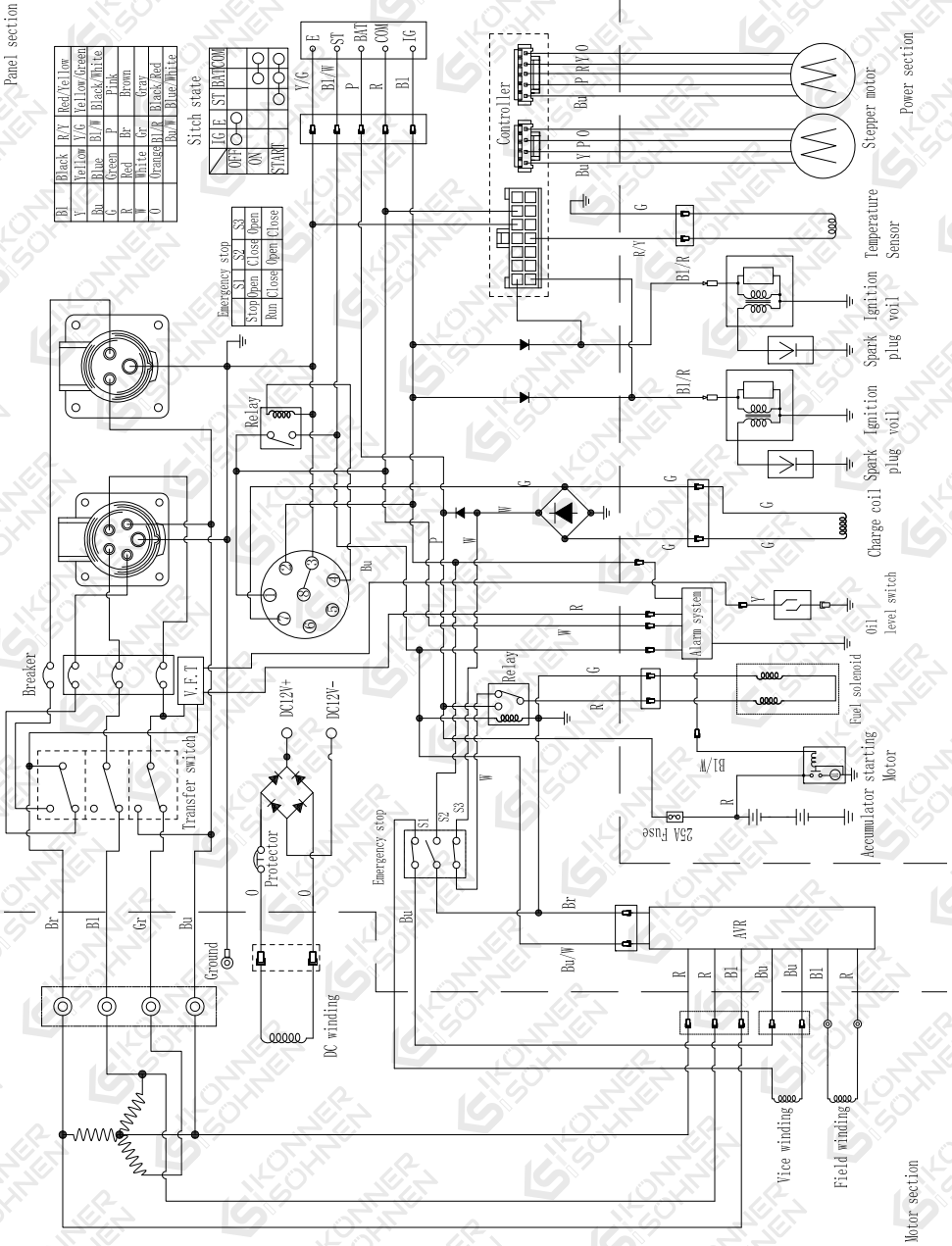
Emergency stop
Relay

Emergency stop
Relay

Emergency stop
Relay

Emergency stop
Relay

Emergency stop
Relay



Power section

Motor section

CONTACTS

konner-sohnen.com

Germany

info@dimaxgroup.de

Poland

info.pl@dimaxgroup.de

Ukraine

sales@ks-power.com.ua